

LED 3035

SURFACE MOUNTED LIGHT



24 V SYSTEM

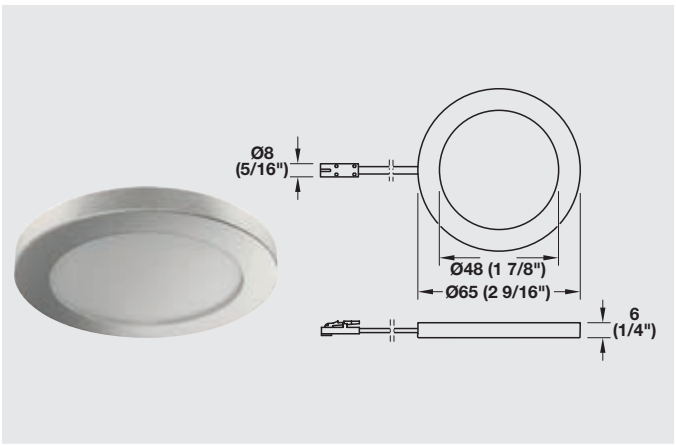
IP20



- > *CRI 90 lights are Title 24 Compliant
- > *CRI 90 lights offer more vibrant, true color rendering than lower CRI products
- > Extremely flat design for a recess mounted look
- > Outstanding for decorative illumination in a wide range of furniture applications
- > Degree of Protection: IP20

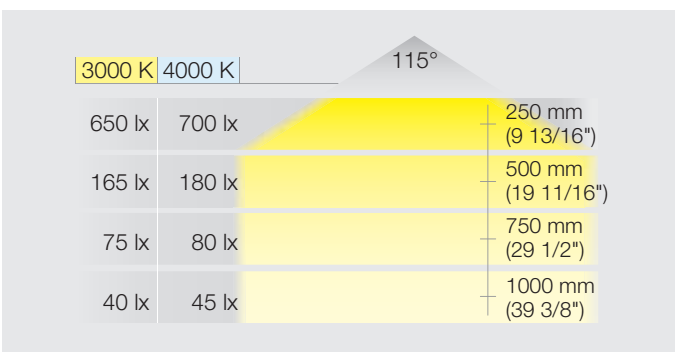


- > Dimmable
- > Screw mounted



Item No.	833.77.190	833.77.191
SRP	\$20.00	\$20.00
Light Color (K)	3000 (warm white)	4000 (cool white)
Ø x H	65 x 6 mm (2 9/16" x 1/4")	
Wattage	2.5	
LEDs	8	
Lumen	170	180
Lumen per watt	68	72
CRI	90*	
Energy Efficiency class	A+	
Weighted energy consumption	2.75	
Material/Finish	Plastic, silver colored	
Supplied with	2 m (78 3/4") lead, mounting material	
Note	Loox Lights and Drivers are "Suitable for use within Closet Storage Spaces"	

> Driver see page 88
> Components see page 127



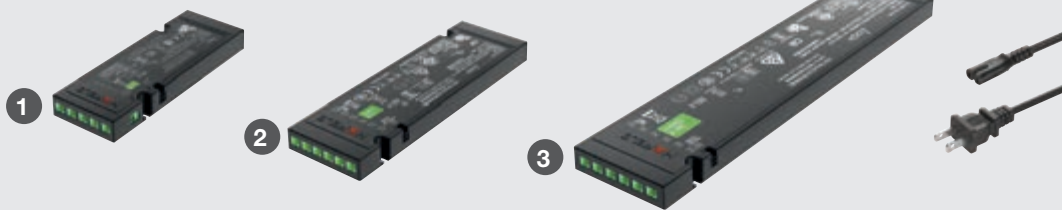
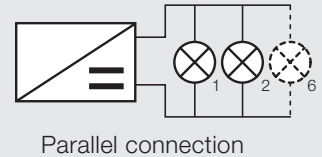
LOOX LED DRIVER

CONSTANT VOLTAGE 24 V

24 V SYSTEM

THIN PROFILE

- 1 Item No. 833.77.945
 $\otimes_1 + \otimes_2 + \dots + \otimes_6 < 20 \text{ W}$
- 2 Item No. 833.77.947
 $\otimes_1 + \otimes_2 + \dots + \otimes_6 < 40 \text{ W}$
- 3 Item No. 833.77.949
 $\otimes_1 + \otimes_2 + \dots + \otimes_6 < 90 \text{ W}$
max. 84 W per light output



- > Suitable for all of the world's power systems
- > With an integrated port for a wide selection of switches
- > Max. 84 W per light output
- > Lead length from driver to switch: Max. 6 m (236 1/4")

- ! > Class 2
- > Efficiency Level VI
- > Degree of protection : IP20
- > Loos drivers cannot be controlled by a dimmer wall switch

Item No.	833.77.945 1	833.77.947 2	833.77.949 3
SRP	\$36.00	\$60.00	\$120.00
L x W x H	140 x 50 x 16 (5 1/2" x 2" x 5/8")	190 x 60 x 16 (7 1/2" x 2 3/8" x 5/8")	316 x 70 x 16 (8 3/16" x 2 3/4" x 5/8")
Wattage	0 – 20	0 – 40	0 – 90
Standby Power Consumption Wattage	<0.1	<0.1	<0.2
Input voltage	100 – 240 V~; 50 – 60 Hz		
Output voltage	24 V DC		
Output current	0.83 A	1.67 A	3.75 A
Number of slots	6 for lights, 1 for switch, 1 for power cord		
Material/Finish	Plastic, black		
Supplied with	Mounting accessories, US power cord		
Note	Loos Lights and Drivers are "Suitable for use within Closet Storage Spaces"		

- ➔ > Switches see pages 113 - 116
- > Extension leads see page 127

- + Power cord with 90° plug, Plastic, black 2 m (78 3/4")
- > Item No. 833.89.017 **SRP \$5.00**

- 90° Plug adapter, Plastic, black
- > Item No. 833.89.018 **SRP \$7.00**

Country-specific 2 m (78 3/4") primary leads

	Country-specific 2 m (78 3/4") primary leads								3 m (118")
Item No.	833.89.000	833.89.001	833.89.002	833.89.003	833.89.016	833.89.005	833.89.050	833.89.008	
SRP	\$10.00	\$4.00	\$4.00	\$4.00	\$4.00	\$4.00	\$4.00	\$6.00	
Plug design									
Designation	UK	AU	EU	US	JP	CN	US	US	
Voltage (V)	250	250	250	120	100	250	120	120	